

# high performance coupling capacitors

## TCC 24 1nf

TCC24 is a capacitive coupler specifically designed for Partial Discharge measurements. Its extremely compact size makes it a good choice for on line and off line PD tests on rotating machines, for both spot measurements and permanent monitoring applications.

It can be permanently installed in terminal boxes of AC power generators as well as in power supply boxes of critical power motors or inside MV bus ducts. For permanent installation it must be fixed through the holes in the bottom flange. It can be installed in vertical position, upside down in and horizontal position. A BNC output termination and the grounding are available on the same flange.

TCC24 coupler contains an internal resistor which provides a suitable dividing ratio @50Hz and @60Hz for those equipment which require a synchronization signal. It also holds an internal overvoltage suppressor which keeps the output voltage below safety limits even in the presence of spikes and overvoltage transient peak on the bus bars.

TCC24 couplers are individually tested according to the following international standards: IEC60358; IEC60694; IEC60270. They are also tested at high vibration level in order to assure high reliability under the most severe conditions. Endurance voltage test showed an expected life (at rated voltage) in excess of  $10^6$  hours, i.e. larger than the expected life of any device it should be matched to

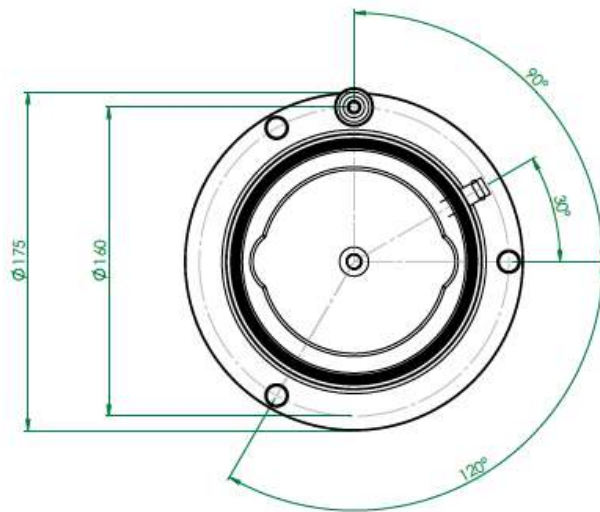
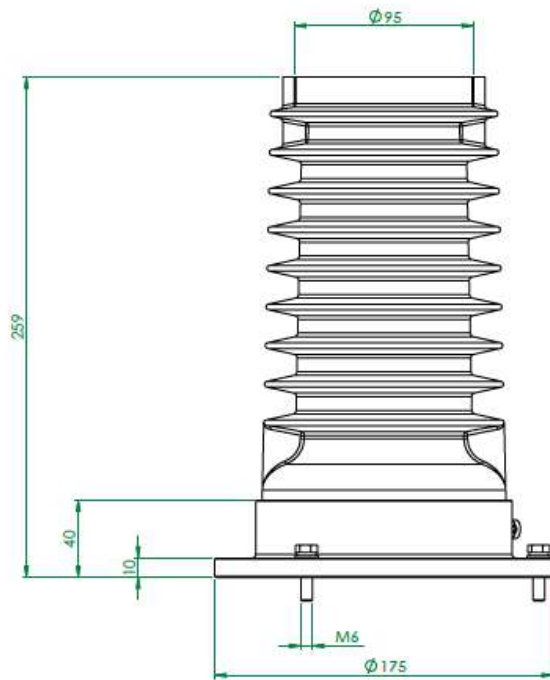


### Specifications

Capacitance	1000pF ±10%
Capacitor type	Ceramic
Body material	Epoxy resin
High voltage frequency range	50÷60 Hz
Rated Voltage (phase-to-phase)	24kVrms
VOUT @ Rated voltage	2.0Vrms
High pass cut frequency (-6dB)	170kHz
AC voltage withstand	50 kVrms
DC voltage withstand	125kVpeak
Lightning pulse withstand	125kVpeak
Creepage distance (IEC60815)	481mm (medium level pollution)
Tan δ	<0.3%
PD level @11.1kV / 50Hz	<2pC

# ACC 17.5 1nf

## Overall Dimensions



 Suitable For



Several different sensors are available, fully compatible with Techimp Global Diagnostic platform. They can be freely combined at customer needs provided they can be applied for the specific application.

**ALTANOVA**  
GROUP  
[www.altanova-group.com](http://www.altanova-group.com)

**TECHIMP**  
TECHIMP - ALTANOVA GROUP  
Via Toscana 11,  
40069 Zola Predosa (Bo) - Italy  
T +39 051 199 86 050  
Email [sales@altanova-group.com](mailto:sales@altanova-group.com)

**isa**  
ISA - ALTANOVA GROUP  
Via Prati Bassi 22,  
21020 Taino (Va) - Italy  
T +39 0331 95 60 81  
Email [isa@altanova-group.com](mailto:isa@altanova-group.com)

**intelliSAW**  
intelliSAW - ALTANOVA GROUP  
100 Burrtt Rd  
Andover, MA 01810, USA  
T +1 978-409-1534  
Email [contact@intellisaw.com](mailto:contact@intellisaw.com)